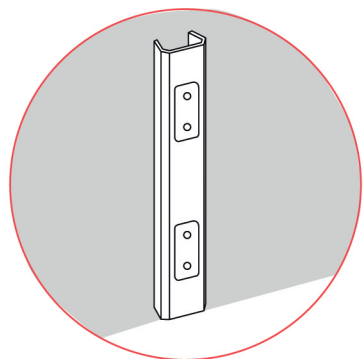
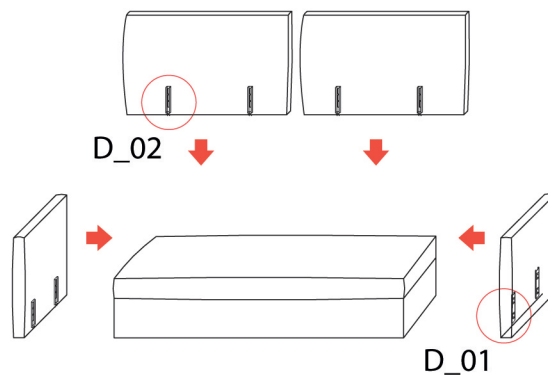


MONTAGGIO E SMONTAGGIO / ASSEMBLING AND DISASSEMBLING

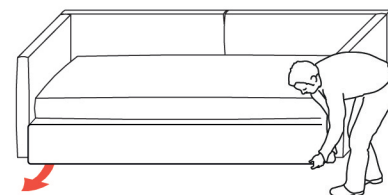
D_01



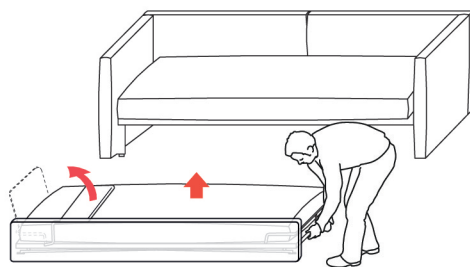
STEP 1



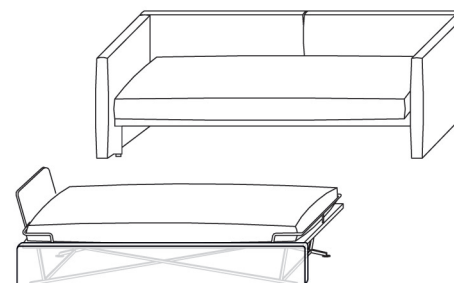
STEP 2



STEP 3



STEP 4



D_02

